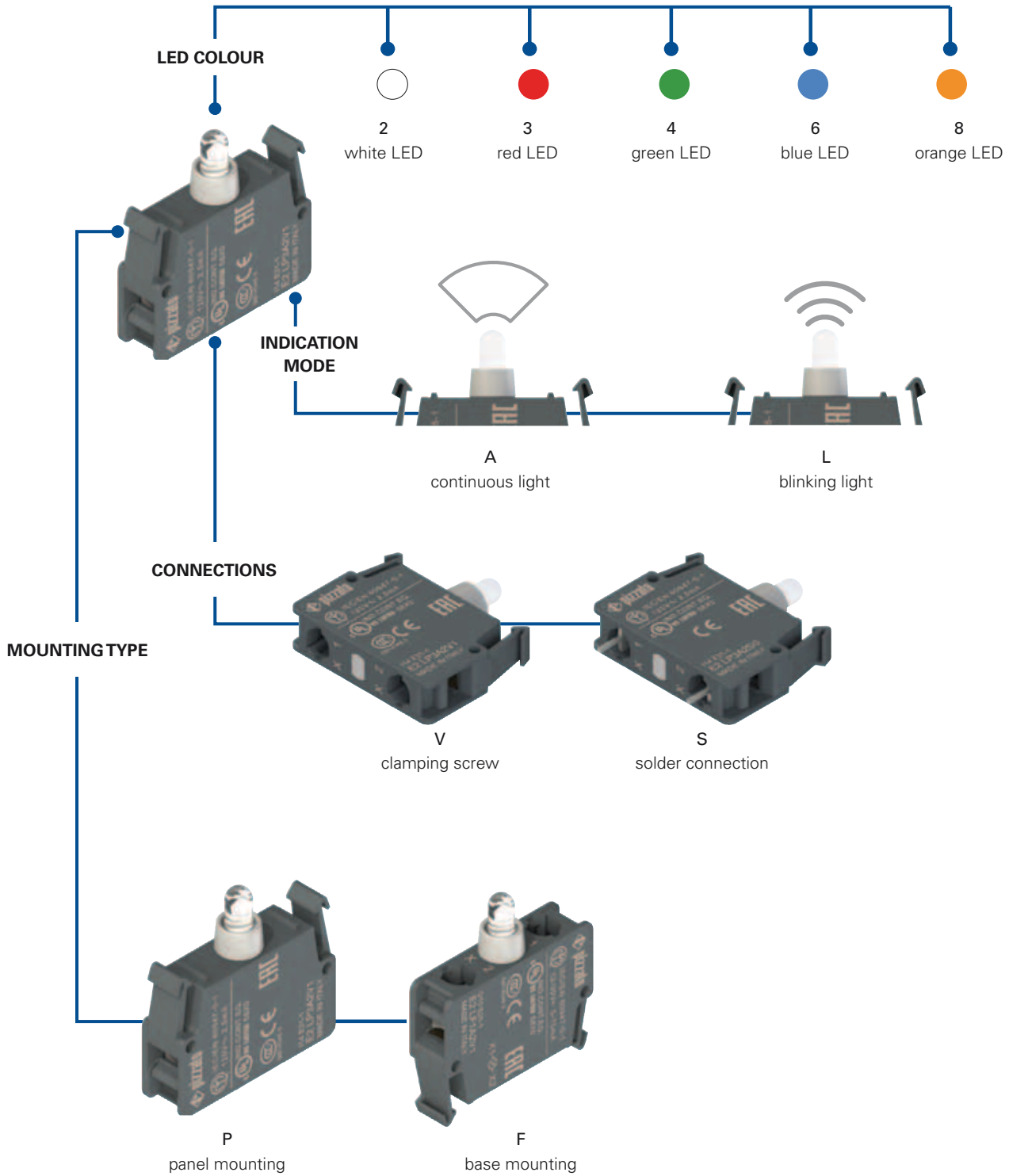


Selection diagram



Code structure**Attention!** The feasibility of a code number does not mean the effective availability of a product. Please contact our sales office.

E2 LP1A3V1

Mounting type

P	panel mounting
F	base mounting

Supply voltage

1	12 ... 30 Vac/dc (high luminosity)
3	120 Vac (high luminosity)
4	230 Vac (high luminosity)
7	120 Vac/dc (standard luminosity)
8	230 Vac/dc (standard luminosity)

Protection degree

0	IP00 solder connection
1	IP20 screw connection

Connection type

V	clamping screw (standard)
S	solder connection (panel mounting only)

LED colour

2	white
3	red
4	green
6	blue
8	orange

Indication mode

A	Continuous light (standard)
L	blinking light (12 ... 30 V power supply only)



Main features

- High luminosity LED
- Three supply voltages:
- 12 ... 30 Vac/dc, 120 Vac, 230 Vac
- Continuous or blinking light
- Panel and base mounting versions

Technical data

General data

Protection degree acc. to EN 60529:	IP20 with screw connection IP00 with solder connection
Ambient temperature:	-25°C ... +70°C
Endurance:	100,000 hours (at rated voltage and +25 °C ambient temperature)
Utilization requirements:	See page 139

LED unit

Cable cross section for clamping screws:	min 1 x 0.5 mm ² (1 x AWG 20) max. 2 x 2.5 mm ² (2 x AWG 14)
Clamping screw tightening torque:	0.6 ... 0.8 Nm
Operating voltages and currents: (high luminosity)	12 ... 30 Vac/dc; 5 ... 15 mA 102 ... 138 Vac; 10 ... 12 mA 195 ... 264 Vac; 9 ... 10 mA
Operating voltages and currents: (standard luminosity)	102 ... 138 Vac/dc; 2.5 mA
Blinking frequency:	1 Hz

In compliance with standards:

IEC 60947-1, IEC 60947-5-1, IEC 60204-1, EN 60947-1, EN 60947-5-1, EN 60204-1, UL 508, CSA 22-2 No. 14.

Quality marks:



IMO approval:	CA02.04806
UL approval:	E131787
CCC approval:	2013010305631156
EAC approval:	RU C-IT DM94.B.01024

Compliance with the requirements of:

Low Voltage Directive 2014/35/EU, EMC Directive 2014/30/EU.

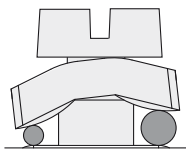
General data

Continuous or blinking light



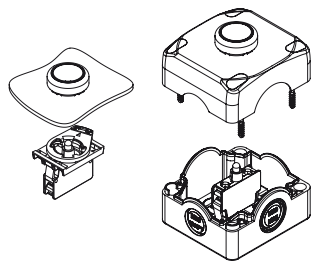
The LED units can be provided with two different lighting types: continuous or blinking light. The blinking light versions allow a faster identification on the panel of the lit device compared to the continuous light. The special internal electronic circuit autonomously alternates the ON and OFF phases without requiring any special electrical connection.

Clamping screw plates



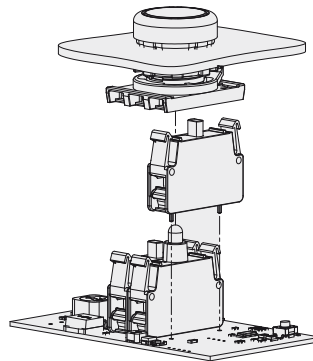
The clamping screw plates of the LED units are provided with a particular "roofing tile" structure and are loosely coupled to the clamping screw. This way, during the wires fixing, the clamping screw plate is able to suit to cables of different diameters and tends to tighten the wires toward the screw instead of permitting them to escape towards the outside.

Available versions



The LED units of the signalling and control devices feature two types of coupling: panel mounting and base mounting.

Solder connection on printed circuit



Versions with panel mounting of the EROUND series LED units with solder pin are available. If there is no wiring but a printed circuit, these LED units can be directly welded on the latter.

High luminosity LED

The LED units to combine with the luminous devices feature a high-intensity LED (Light Emitting Diodes), which ensures greater visibility. The use of an integrated LED gives greater benefits compared to incandescence lamps because they last longer and absorb less power than the latter. LEDs feature greater reliability, low consumption, and high resistance to vibrations.

Features approved by UL

Voltage and rated supply current:
 12-30 Vac/dc, 5-15mA
 120 Vac, 10 mA
 230 V ac, 10 mA
 120 Vac, 2.5 mA
 230 V ac, 2.5 mA

Notes:

- Use 60° or 75°C Copper (Cu) conductors, rigid or flexible, with cross-section AWG 12-20.
- Screw terminal tightening torque of 7.1 Lb In (0.8 Nm).






Features approved by IMQ






Rated insulation voltage (Ui): 500 V
 Indicator light type: Incorporated LED
 Terminals: screw terminals
 Rated operating voltage (Ue): 12 ... 30 Vac/dc (5 ... 15 mA),
 120 Vac (10 mA), 230 Vac (10 mA)

In compliance with standards: EN 60947-1,
 EN 60947-5-1:2004 + A1:2009, fundamental requirements
 of the Low Voltage Directive 2014/35/EU.

Selection table for LED units Packs of 5 pcs.








LED colour	Actuator colour	Panel mounting		
		Screw connection		
		Operating voltage		
		12...30 Vac/dc	120 Vac	230 Vac
 white	white / yellow	E2 LP1A2V1	E2 LP3A2V1	E2 LP4A2V1
 red	red	E2 LP1A3V1	E2 LP3A3V1	E2 LP4A3V1
 green	green	E2 LP1A4V1	E2 LP3A4V1	E2 LP4A4V1
 blue	blue	E2 LP1A6V1	E2 LP3A6V1	E2 LP4A6V1
 orange	orange	E2 LP1A8V1	E2 LP3A8V1	E2 LP4A8V1

LED colour	Actuator colour	Panel mounting		
		Solder connection		
		Operating voltage		
		12...30 Vac/dc	120 Vac	230 Vac
 white	white / yellow	E2 LP1A2S0	E2 LP3A2S0	E2 LP4A2S0
 red	red	E2 LP1A3S0	E2 LP3A3S0	E2 LP4A3S0
 green	green	E2 LP1A4S0	E2 LP3A4S0	E2 LP4A4S0
 blue	blue	E2 LP1A6S0	E2 LP3A6S0	E2 LP4A6S0
 orange	orange	E2 LP1A8S0	E2 LP3A8S0	E2 LP4A8S0

We recommend to meet the colour combination of the LEDs with the actuator colours.

Selection table for LED units Packs of 5 pcs.



LED colour	Actuator colour	Base mounting		
		Screw connection		
		Operating voltage		
		12...30 Vac/dc	120 Vac	230 Vac
 white	white / yellow	E2 LF1A2V1	E2 LF3A2V1	E2 LF4A2V1
 red	red	E2 LF1A3V1	E2 LF3A3V1	E2 LF4A3V1
 green	green	E2 LF1A4V1	E2 LF3A4V1	E2 LF4A4V1
 blue	blue	E2 LF1A6V1	E2 LF3A6V1	E2 LF4A6V1
 orange	orange	E2 LF1A8V1	E2 LF3A8V1	E2 LF4A8V1

Items with code on **green** background are stock items

Complete units with LED unit, contact block and mounting adapter



LED colour	Contacts			Panel mounting
	pos. 2	pos. 3	pos. 1	Operating voltage 12 ... 30 Vac/dc
white	1NC ⊕	LED	-	E2 AC-XXBC0020 E2 1BAC11 + E2 CP01G2V1 + E2 LP1A2V1
red	1NC ⊕	LED	-	E2 AC-XXBC0037 E2 1BAC11 + E2 CP01G2V1 + E2 LP1A3V1
green	1NC ⊕	LED	-	E2 AC-XXBC0029 E2 1BAC11 + E2 CP01G2V1 + E2 LP1A4V1
blue	1NC ⊕	LED	-	E2 AC-XXBC0045 E2 1BAC11 + E2 CP01G2V1 + E2 LP1A6V1
orange	1NC ⊕	LED	-	E2 AC-XXBC0058 E2 1BAC11 + E2 CP01G2V1 + E2 LP1A8V1

Other combinations on request.

LED colour	Contacts			Panel mounting
	pos. 2	pos. 3	pos. 1	Operating voltage 12 ... 30 Vac/dc
white	-	LED	1NO	E2 AC-XXBC0021 E2 1BAC11 + E2 LP1A2V1 + E2 CP10G2V1
red	-	LED	1NO	E2 AC-XXBC0039 E2 1BAC11 + E2 LP1A3V1 + E2 CP10G2V1
green	-	LED	1NO	E2 AC-XXBC0031 E2 1BAC11 + E2 LP1A4V1 + E2 CP10G2V1
blue	-	LED	1NO	E2 AC-XXBC0047 E2 1BAC11 + E2 LP1A6V1 + E2 CP10G2V1
orange	-	LED	1NO	E2 AC-XXBC0059 E2 1BAC11 + E2 LP1A8V1 + E2 CP10G2V1

Other combinations on request.



LED colour	Contacts			Panel mounting
	pos. 2	pos. 3	pos. 1	Operating voltage 12 ... 30 Vac/dc
white	1NC ⊕	LED	1NO	E2 AC-XXBC0027 E2 1BAC11 + E2 CP01G2V1 + E2 LP1A2V1 + E2 CP10G2V1
red	1NC ⊕	LED	1NO	E2 AC-XXBC0044 E2 1BAC11 + E2 CP01G2V1 + E2 LP1A3V1 + E2 CP10G2V1
green	1NC ⊕	LED	1NO	E2 AC-XXBC0036 E2 1BAC11 + E2 CP01G2V1 + E2 LP1A4V1 + E2 CP10G2V1
blue	1NC ⊕	LED	1NO	E2 AC-XXBC0052 E2 1BAC11 + E2 CP01G2V1 + E2 LP1A6V1 + E2 CP10G2V1
orange	1NC ⊕	LED	1NO	E2 AC-XXBC0060 E2 1BAC11 + E2 CP01G2V1 + E2 LP1A8V1 + E2 CP10G2V1

Other combinations on request.

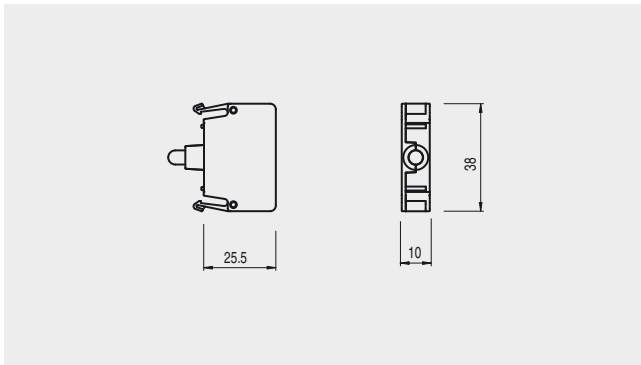
LED colour	LED			Panel mounting
	pos. 2	pos. 3	pos. 1	Operating voltage 12 ... 30 Vac/dc
white	-	LED	-	E2 AC-XXBC0053 E2 1BAC11 + E2 LP1A2V1
red	-	LED	-	E2 AC-XXBC0055 E2 1BAC11 + E2 LP1A3V1
green	-	LED	-	E2 AC-XXBC0054 E2 1BAC11 + E2 LP1A4V1
blue	-	LED	-	E2 AC-XXBC0056 E2 1BAC11 + E2 LP1A6V1
orange	-	LED	-	E2 AC-XXBC0057 E2 1BAC11 + E2 LP1A8V1

Other combinations on request.

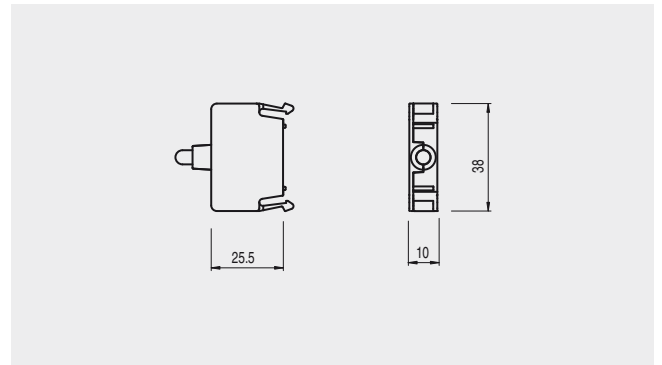
Dimensions

All measures in the drawings are in mm

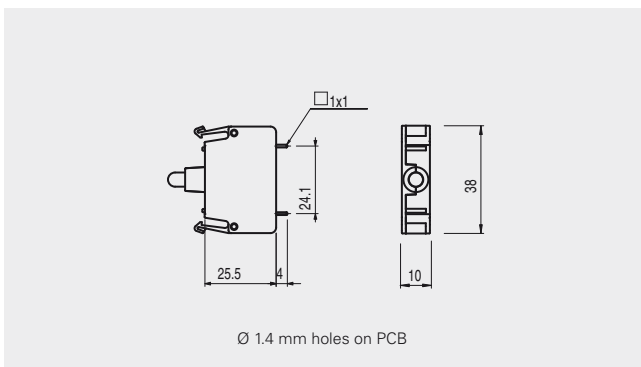
LED unit for panel mounting



LED unit for base mounting



LED unit for panel mounting, solder connection



→ The 2D and 3D files are available at www.pizzato.com